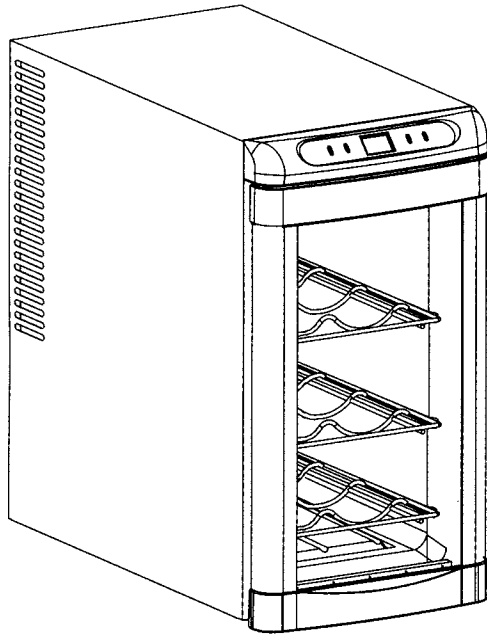


THERMOELECTRIC WINE CHILLER

25 Liter / 8-bottle Capacity



Operation Manual

Index

I.	General Safety Precautions.....	1
II.	Operation	2
III.	Technical Data	3
IV.	Product Diagram.....	4
V.	Electrical Diagram.....	4
VI.	Specific Precautions.....	5
VII.	Maintenance.....	5
VIII.	Troubleshooting	6

I. GENERAL SAFETY PRECAUTIONS

- Carefully remove the refrigerator from the package.
- Plastic bags, nails, etc. should be kept out of the reach of children.
- Read the operation manual carefully before use. The manufacturer will not be responsible for any damage due to improper use or repairs made by unqualified personnel.
- Before cleaning the refrigerator, make sure it is unplugged. Never clean the unit with an acid preparation, medical, dilution, gasoline, oil or any kind of chemical substance that could damage the refrigerator.
- Repairs should only be made by authorized service centers.

Caution –

1. To reduce the risk of fire, replace fuse only with same type.
2. Free standing installation only.
3. Do not use extension cords.
4. Danger: Risk of child entrapment. Before throwing away your old refrigerator, it must be noted: a) Take off the door; b) Leave the shelves in place, so that children may not easily climb inside.

II. OPERATION OF CHILLER

The interior temperature can be adjusted from 52° F to 64.4° F.

When the power is connected, the cooling system starts to work.

Set the desired temperature using the plus (+) and minus (-) controls above the door. The cooling function will shut off when the inside of the chiller reaches the set temperature and restart when the temperature inside rises above the set temperature.

Push the “C/F” button on the right to switch between Celsius and Fahrenheit on the LCD display.

Push the “LIGHT” button on the right to control the interior light.

NOTE:

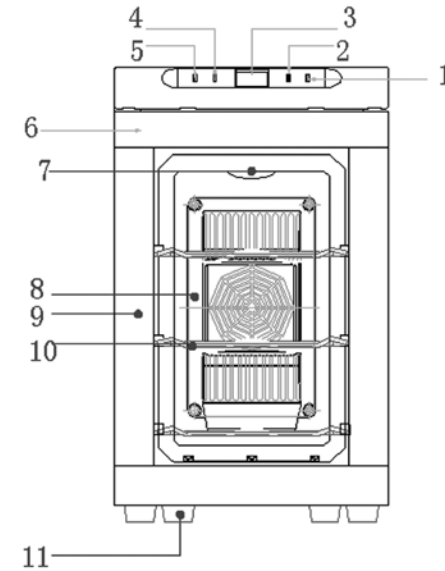
After setting the temperature, the LCD display will return to showing the current temperature inside the cooler.

Keep this instruction manual for future reference.

III. TECHNICAL DATA

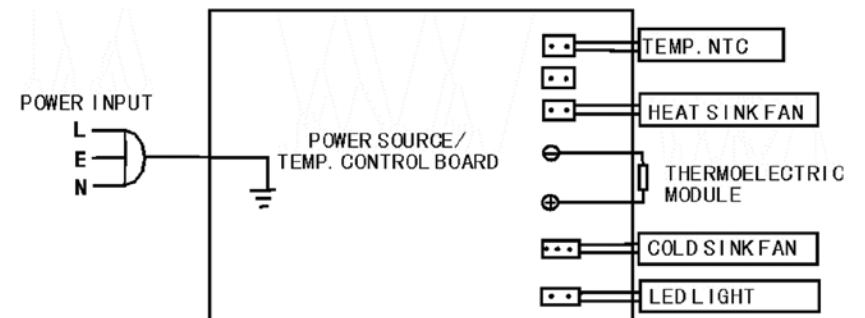
Volume (liter)	25L	
Material	Case	Iron
	Door	Glass
Size: (WxHxD) (in)	10¼" x 19½" x 19¾"	
Weight (lbs)	17.5 lbs.	
Consumption (KW*h/24h)	0.5	
Temperature Control	52-64.4° F / 11-18° C	
Temperature below Environment Temp.	<77° F / <25° C	
Rated Voltage	AC110/220V	
Rated Frequency	60HZ/50HZ	
Input power	70W	

IV. PRODUCT DIAGRAM



- | | | |
|-----------------|------------------|-----------|
| 1. "C/F" Switch | 5. Temp - (down) | 9. Handle |
| 2. Key Light | 6. Door | 10. Shelf |
| 3. LCD Display | 7. Lamp | 11. Foot |
| 4. Temp + (up) | 8. Fan Cover | |

V. ELECTRICAL DIAGRAM



VI. PRECAUTIONS

In order to function at its potential, this wine cooler needs to be placed on a flat floor, with 1" clearance on each side and 4" clearance at the back.

Make sure the cooler is stable and level on the floor by adjusting the feet height on the bottom of the chiller.

Avoid direct sunlight and high temperatures.

Hot food should be cooled down before placing in the chiller. Do not mix uncooked food with cooked food.

Do not place heavy articles on the top of the chiller.

VII. MAINTENANCE

Disconnect the power cord before cleaning the cabinet. Take out wines and shelves, and then clean the cabinet with soda water first and then with clean water.

- To avoid damage, do not use soap or detergent.
- Clean the chiller regularly.

VIII. TROUBLE SHOOTING

SYMPTOMS	POSSIBLE CAUSES	SOLUTIONS
Not cooling.	<ul style="list-style-type: none"> • Not plugged in. • Low voltage. • Fuse broken. 	<ul style="list-style-type: none"> • Plug in cord. • Ensure normal voltage. • Change fuse.
Temperature inside the chiller is not cold enough.	<ul style="list-style-type: none"> • Chiller is too close to a heat source. • Bad ventilation • Fan doesn't work. • Door is not closed tightly, left open or opened too frequently. 	<ul style="list-style-type: none"> • Keep the chiller away from direct sunlight, fire, etc. • Place chiller in well ventilated area and keep area around fans clear. • Check that the plug is connected or replace the fan. • Close the door tightly and do not open too often or for too long a time.
Peculiar smell inside the chiller.	<ul style="list-style-type: none"> • Check for sour foods or drinks inside the chiller. 	<ul style="list-style-type: none"> • Wrap the source or take it out, clean the inside.
Inside light flashes.	<ul style="list-style-type: none"> • The temperature was set higher than the current inside temperature. • The automatic defrost function started to work. 	<ul style="list-style-type: none"> • Adjust the temperature lower. • This is the normal indicator light function. No repair is needed.
Frost or ice inside the chiller.	<ul style="list-style-type: none"> • Too much humidity or too low temperature outside the chiller. 	<ul style="list-style-type: none"> • Disconnect the plug to stop the power and allow for defrosting. Connect power again when interior is dry.