

190 mm

# USER MANUAL

ItemNo.: VL2650

UV STERILIZER, PHONE STAND & WIRELESS CHARGER

### Features:

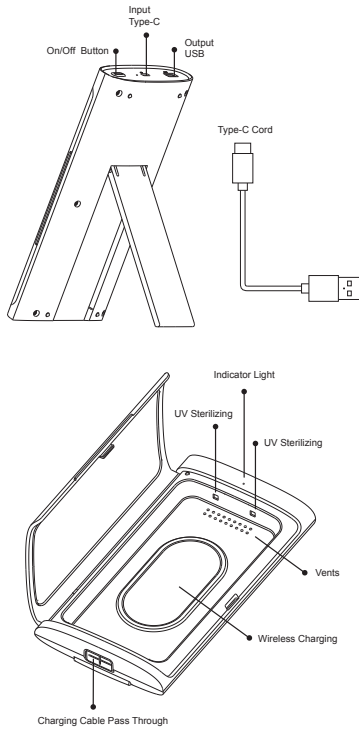
1. Wireless Charging
2. UV Sterilizing
3. Phone Stand
4. USB Type-C Cable and Input Port
5. USB-A Output Charging Port
6. Interior Size: 6 3/4" (l) x 3 1/4" (w) x 9/16" (d)

### Wireless Charging Specifications:

- Charging Pad Input: 5V / 2A
- Charging Pad Output: DC 5V / 1A / 5W
- Over-Heating & Input Over-Current Protection
- Anti-Static Protection
- Foreign Object Detection (FOD) Auto-Shut Off
- TYPE-C Input: 5V / 2A
- USB Output: 5V / 1A
- Effective Distance: 2mm
- Charging Efficiency: <math>\leq 70\%</math>

### UV Sanitizer Specifications:

- 2 UV-C LED lights
- Disinfection Power: 1.2W
- Ultraviolet Wavelength: 253.7nm



### Instructions:

1. Plug the USB-C end of included cable into the device and USB-A end into a wall plug, computer, powerbank, or other 5V power source.
2. Charging: Lift the device lid and place your wireless charging enabled phone onto the oval charging pad. You will need to remove bulky or metal phone cases for the charging pad to work. Charging should begin immediately.
3. Sanitizing: Lift the lid and put the phone or other item you wish to sanitize into the device and close the lid.
  - Option 1: Push the on/off button once to turn on the UV sanitizing light. An exterior red indicator light will go on and the UV light will turn off automatically after 15 minutes. This time period meets sanitizing guidelines:  $18\mu\text{W}/\text{cm}^2 \times 15 \text{ min} \times 60 \text{ secs}/1000=16.2\text{mJ}/\text{cm}^2$ .
  - Option 2: Double click the on/off button and a blue light will illuminate indicating a 30-minute time period before the automatic shut-off. For a longer clean, 30 minutes exceeds sanitizing guidelines:  $18\mu\text{W}/\text{cm}^2 \times 30 \text{ min} \times 60 \text{ secs}/1000=32.4\text{mJ}/\text{cm}^2$ .
  - The UVC light can be turned off by pushing the on/off button or by lifting the lid.
  - Auto Shut-Off: As a safety precaution, the UVC light cannot be turned on while the device's UVC-blocking lid is open and will automatically shut off if the lid is lifted while the UVC light is on.
  - The UVC light is effective at sanitizing the bottom and top surfaces of the phone or other object being sanitized, you do not need to turn the object over but you can if you wish to.
4. Phone Stand: Pull hinged kick stand on the backside of the device open to stand the device vertically on a tabletop.

### Sterilization Principle:

Ultraviolet sterilization lamps prevent bacteria or viruses from reproducing by destroying their DNA or RNA sequences at specific wavelengths of ultraviolet light.

### Warnings:

1. Ultraviolet light is harmful to your eyes and skin, it is recommended to limit exposure.
2. Sterilizing lamp should be placed out of the reach of children and kept away from pregnant women and the elderly while in use.
3. This product is not water proof, do not put the product in water, other liquids, or damp environments.
4. Do not unscrew the casing of the product. Changes or modifications to this device could damage the user or the product.

FC FCC ID:2APYY-AT0005-A  
MADE IN CHINA

120 mm

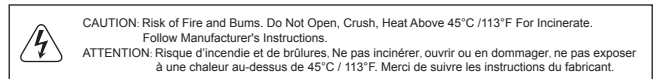
## IMPORTANT SAFETY INSTRUCTIONS

When using this product, basic precautions should always be followed, including the following:

- a. Read all the instructions before using the product.
- b. To reduce the risk of injury, close supervision is necessary when the product is used near children.
- c. Do not put finger or hands into the product.
- d. Do not expose product to rain or snow.
- e. Using the product incorrectly may result in the risk of fire or injury to persons.
- f. Do not use the product in excess of its output rating.
  - Overload outputs above rating may result in a risk of fire or injury to persons.
- g. Do not use the product that is damaged or modified. Damaged or modified product may exhibit unpredictable behavior resulting in fire, explosion and/or risk of injury.
- h. Do not disassemble the product. Take it to a qualified service person when services or repair is required.
  - Incorrect reassembly may result in a risk of fire or injury to persons.
- i. Do not expose product to fire or excessively high temperatures.
  - Exposure to fire or temperature above 113°F (45°C) may cause explosion.
- j. Have servicing performed by a qualified repair person using only identical replacement parts.
  - This will ensure that the safety of the product is maintained.
- k. Switch off the product when not in use.

## CAUTION AND SAFETY

Do not expose to moisture, sunlight, or other heat sources  
 Keep away from children and ensure all adults who use this product read and follow these instructions and warnings.  
 Operating temperature range between 32°F and 113°F.  
 Use correct voltage charger, 5V only.  
 Battery must be recycled or disposed of properly.



This device complies with Part 15 of the FCC Rules. Operation is subject to the following two conditions (1) This device may not cause harmful interference, and (2) This device must accept any interference received, including interference that may cause undesired operation.

This equipment has been tested and found to comply with the limits for a Class B digital device, pursuant to part 15 of the FCC Rules. These limits are designed to provide reasonable protection against harmful interference in a residential installation.

This equipment generates, uses, and can radiate radio frequency energy and, if not installed and used in accordance with the instructions, may cause harmful interference to radio communications. However, there is no guarantee that interference will not occur in a particular installation. If this equipment does cause harmful interference to radio or television reception, which can be determined by turning the equipment off and on.

The user is encouraged to try to correct the interference by one or more the following measures:

- Reorient or relocate the receiving antenna.
- Increase the separation between the equipment and receiver.
- Connect the equipment into an outlet on a circuit different from that to which the receiver is connected.
- Consult the dealer or an experienced radio / TV technician for help.

120 mm